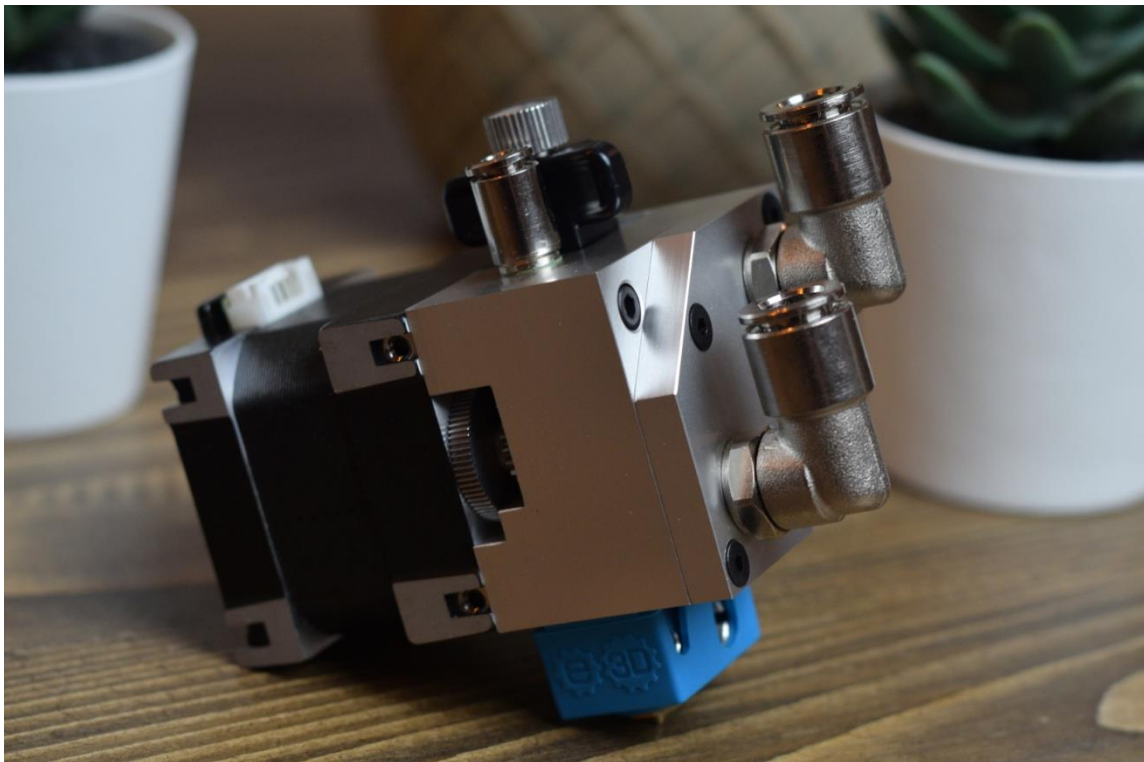


mebs

Hemera Waco

Mod

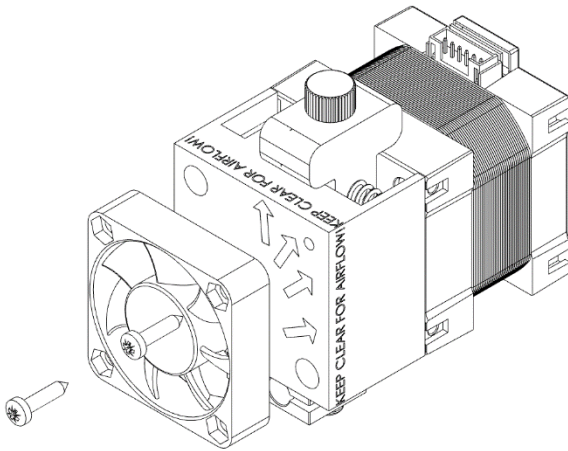
Assembly Manual



30.03.2021

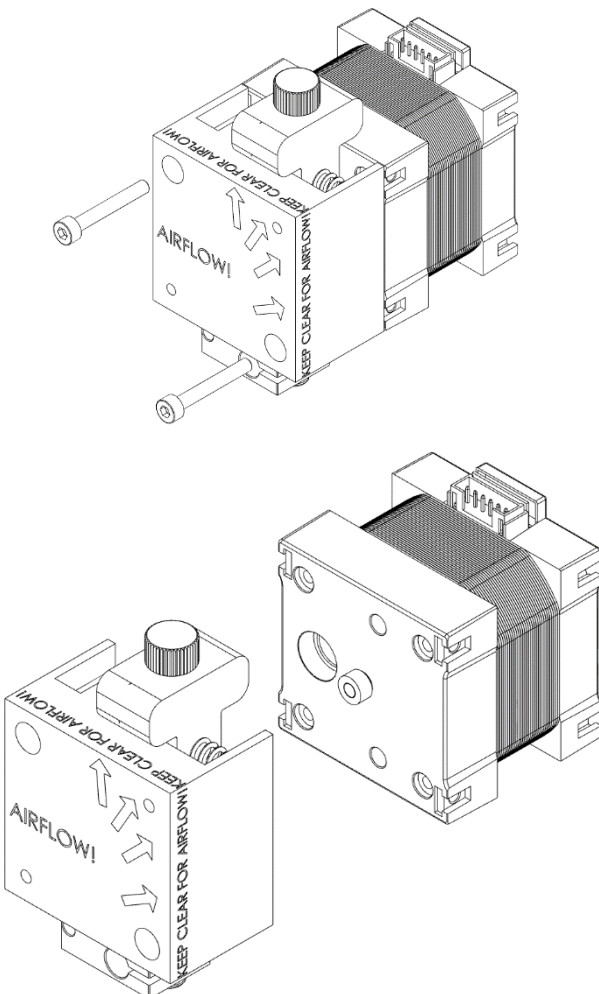


Step 1



- Undo the fanscrews
- Remove the fan

Step 2

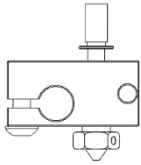
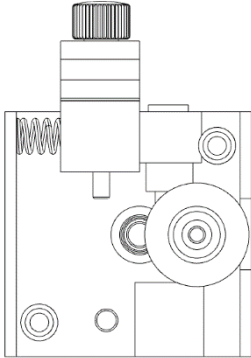


- Remove the M3 x 22 socket head screws
- Remove the motor



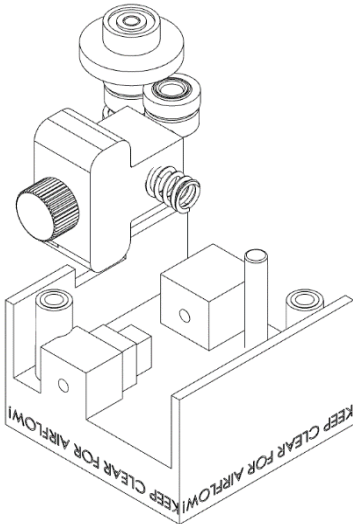
Step 3

- Remove the hotend



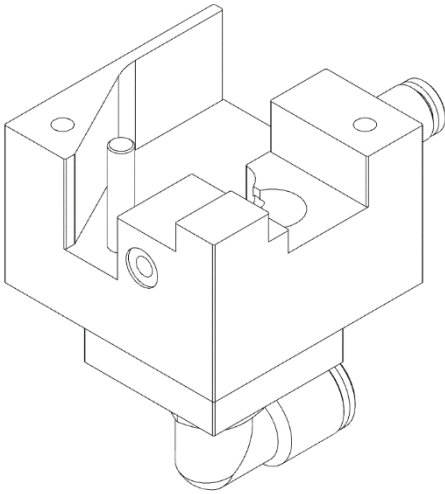
Step 4

- Remove the drive and idler assembly

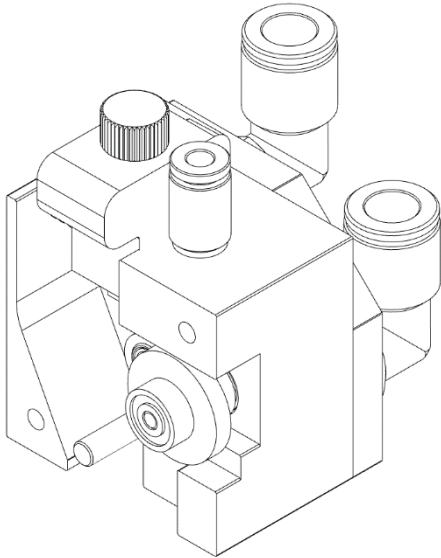




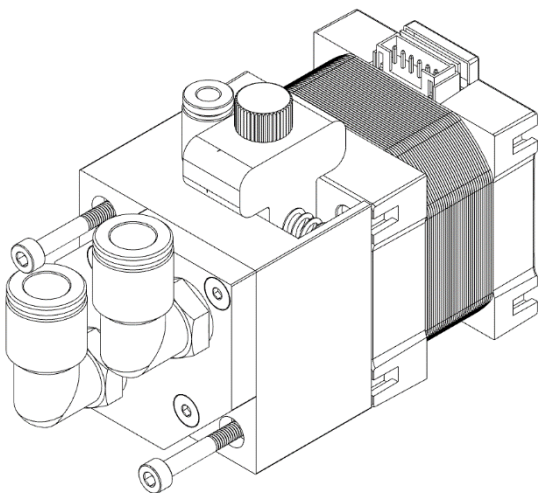
Step 5



- Insert the 4 x 24 pin from the kit (Due to the tolerances there may be force required)
- Insert the idler assembly
- Insert the drive gear



Step 6



- Assemble the motor with the M3 x 30 socket head screws from the kit.



Step 7

- Continue with step 1 in the E3D Hemera assembly guide
- Skip step 6 and 7 in the E3D Hemera assembly guide
- Cut the PVC-tubes straight and insert them into the push fittings
 - Check that the tubing connector is securely held by pulling gently on the tube.
 - Recommendation: inlet on lower fitting, outlet on upper fitting
- Make sure that the system is leakproof
- Warning! it is essential to add a coolant, as otherwise corrosion can occur.